

NT-C

Tongue & groove

High precision power chucks Ø 170 - 400 mm

- centrifugal force compensation
- closed center
- 3 jaws
- proofline® chucks = fully sealed – low maintenance



Application/customer benefits

- For large batch production
- For high speed machining and for fragile parts
- Fully sealed, ideal for dry machining of castings and forgings or if high pressure coolant is used

NT-C: Tongue & groove master jaws (American Standard)

Technical features

- Centrifugal force compensation
- Constant gripping force with permanent grease lubrication
- Center bore for coolant and/or air
- Chuck body and internal parts case hardened
- **proofline® chucks** = fully sealed – low maintenance

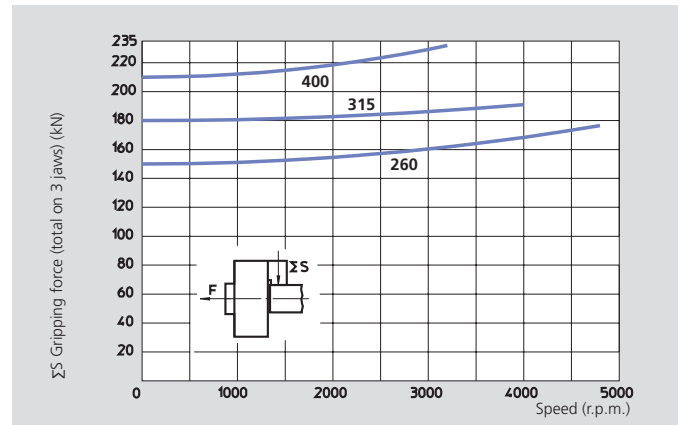
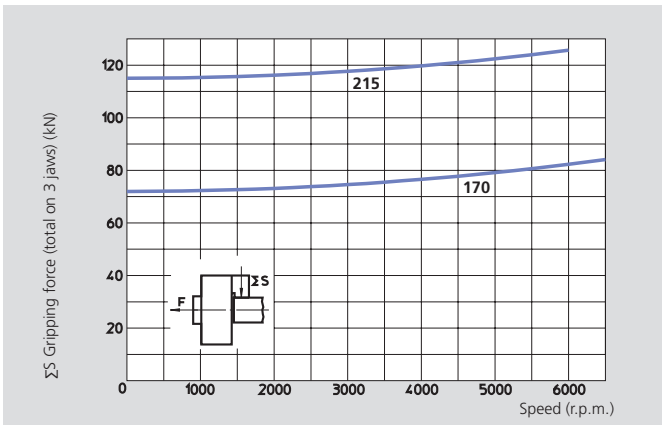
Standard equipment

3 jaw chuck
mounting bolts

Ordering example

3 jaw chuck NT-C 215/A6

Actual gripping force diagrams



The data in the diagrams refer to 3-jaw-chucks, newly maintained according to their service manuals using SMW-AUTOBLOK K67 grease. The static and dynamic gripping forces have been measured using standard soft top jaws, placed in a position not exceeding the outer diameter of the chuck.

△ Safety advice/danger of damage:

When using taller/heavier jaws and/or clamping on a bigger diameter reduce draw pull/rotating speed accordingly.

Technical data

SMW-AUTOBLOK Type		NT-C 170	NT-C 215	NT-C 260	NT-C 315	NT-C 400
Number of jaws		3	3	3	3	3
Radial jaw stroke	mm	3.6	4.6	5	6.3	7
Axial piston stroke	mm	17	22	24	30	33
Max. draw pull*	kN	30	42	55	65	75
Max. gripping force*	kN	72	112	150	180	210
Max. speed	r.p.m.	6500	6000	4800	4000	3200
Weight (without top jaws)	kg	13	25	40	68	112
Moment of inertia	kg·m ²	0.048	0.146	0.34	0.84	2.15
Recommended actuating cylinders		SIN-S 100	SIN-S 100/125	SIN-S 125/150	SIN-S 125/150	SIN-S 150/175

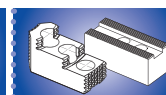
* For internal clamping reduce the draw pull by 30 %



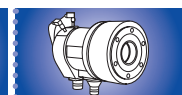
on request:
Tooling Standard
Parts Catalog



Page 324



Page 326



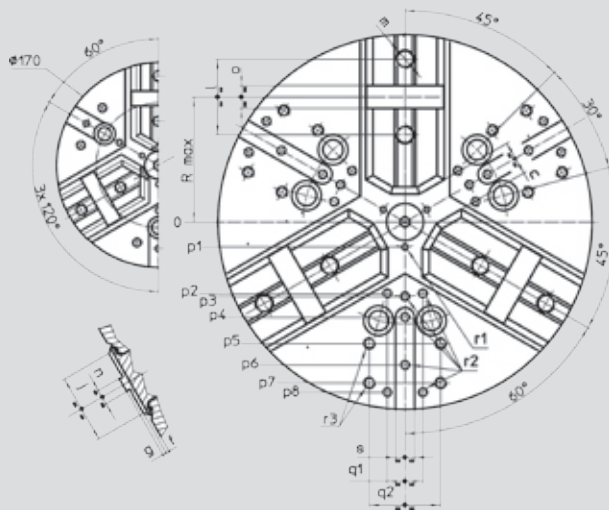
Page 225

High precision power chucks Ø 170 - 400 mm

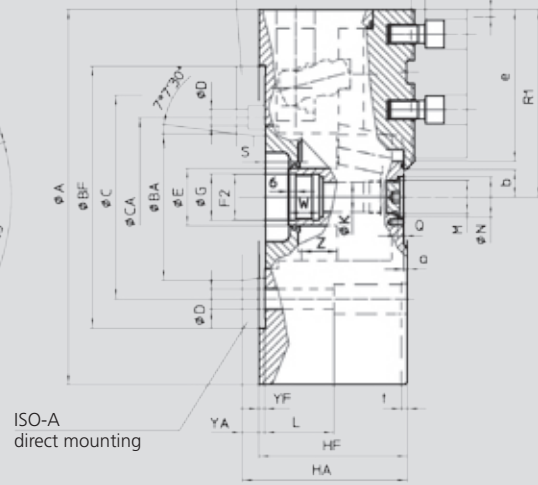
- centrifugal force compensation
- closed center
- 3 jaws
- proofline® chucks = fully sealed – low maintenance

NT-C

Tongue & groove



Ø 260-A6 indirect mounting



Subject to technical changes
For more detailed information please ask for customer drawing

SMW-AUTOBLOK Type			NT-C 170		NT-C 215		NT-C 260			NT-C 315		NT-C 400	
Mounting			Z140	A5	Z170	A6	Z220	A6	A8	Z220	A8	Z300	A11
	A	mm	172		216		262			315		390	
	Bf/BA H6	mm	140	82.563	170	106.375	220	106.375	139.719	220	139.719	300	196.869
	C	mm	104.8		133.4		171.4	-	171.4	171.4		235	
	CA	mm	-	-	-	-	-	133.4	-	-	-	-	-
	D	mm	11.5		13.5		17	13.5	17	17		21	
	E	mm	32		42		48			48		75	
	F2	mm	M24 x 2		M32 x 1.5		M38 x 1.5			M38 x 1.5		M60 x 1.5	
	G H8	mm	25		33		39			39		61	
	HF/HA	mm	92	102	104	116	118	137	132	125	139	149	164
	K	mm	18.5		20		25			25		48	
	L	mm	43		52		58			58		74	
	M	mm	M22 x 1.5		M22 x 1.5		M28 x 1.5			M28 x 1.5		M52 x 1.5	
	N H9	mm	24		24		34			34		60	
	Q	mm	5.5		5.5		5.5			5.5		9	
max.	R	mm	56		72		88			105		133.5	
Chuck open	R1	mm	86.5		108		131			157.5		195	
max./min.	S	mm	20/3		19/-3		22/-2			20/-10		33/0	
Chuck fully closed	T	mm	175		220		-			-		-	
Radial jaw stroke	U	mm	3.6		4.6		5			6.3		7	
	W	mm	22		26		26			26		38	
	Yf/YA	mm	5	15	5	17	5	24	19	5	19	6	21
max./min.	Z	mm	17/0		22/0		24/0			30/0		33/0	
	a	mm	3		3		3			3		3	
min.	b	mm	8.5		12		14			16.5		31	
min.	c	mm	9		13		14			16		38	
	e	mm	70		87		107			129		150	
	f	mm	3		3		3			3		6	
	g	mm	3		3		3			3		3	
	j	mm	34		46		48			58		63	
	k1	mm	10		11		12			12		14	
	l	mm	38		44.4		54			63.5		76.2	
	m	mm	M10		M12		M16			M16		M20	
	n	mm	7.94		7.94		12.7			12.7		12.7	
	o	mm	12.68		12.68		19.03			19.03		19.03	
	p1	mm	16		16		21			21		37.5	
	p2	mm	-		-		-			60		80	
	p3	mm	38		49		55			62.5		83	
	p4	mm	-		80		70			80		110	
	p5	mm	65		80		102			102		140	
	p6	mm	70		-		102			120		155	
	p7	mm	-		-		-			135		170	
	p8	mm	-		-		-			-		170	
	q1	mm	-		-		-			30		36	
	q2	mm	36		45		60			60		80	
	r1	mm	M5/7		M5/8		M6/10			M6/10		M6/12	
	r2	mm	M6/14		M8/17		M8/17			M8/17		M10/19	
	r3	mm	M8/17		M8/17		M10/19			M10/19		M12/22	
	s	mm	16		16		16			16		20	
	t	mm	5		5		5			5		5	