

■ For double piston cylinder ZHVD-DFR for D-chucks



Application/customer benefits

- Rotary union for media supply for rotating cylinders.
- Universal for air + oil/air + coolant. Can also rotate dry (without medium applied).

Technical features

- Rotary union for 2 media
- Port A for air, oil and coolant
- Port B for air

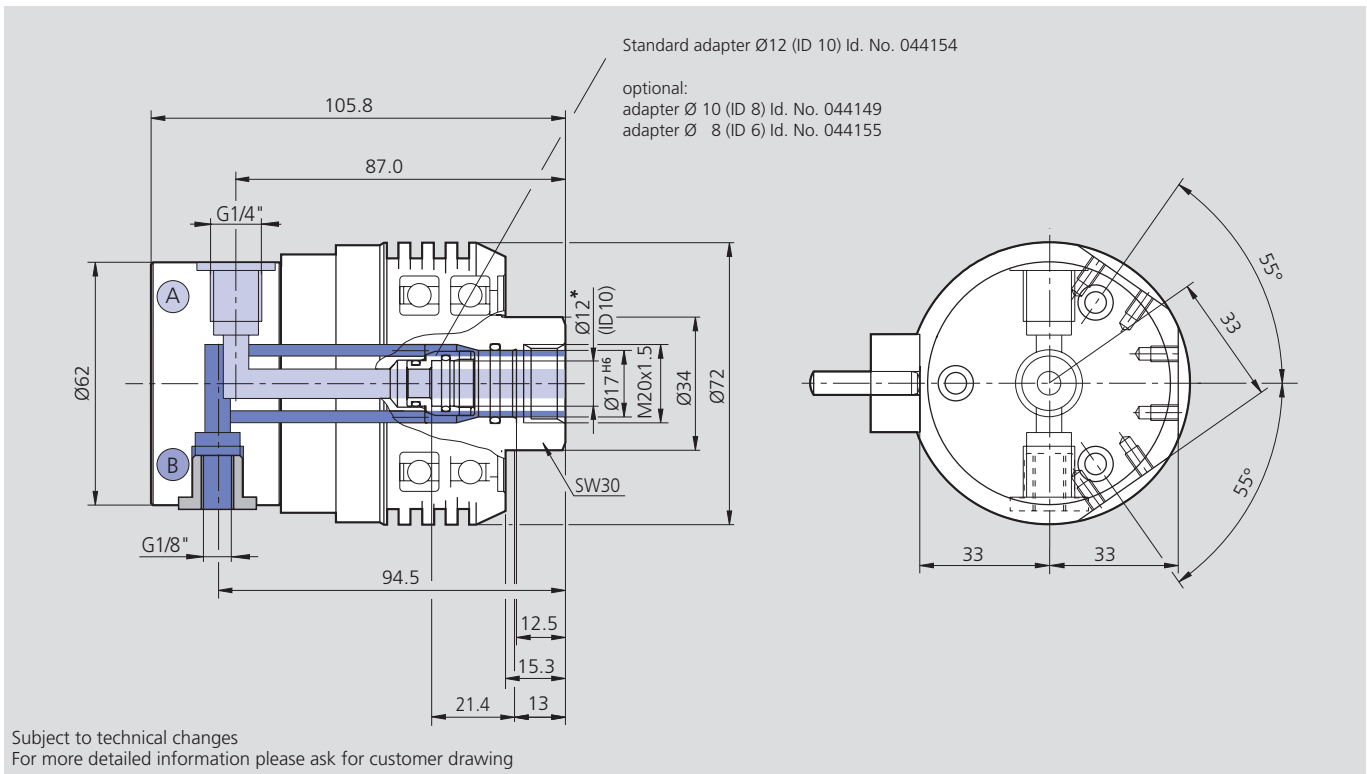
Note: The medium must be free of contamination
Filter 25 µm requested

Standard equipment

RU-2-20
Anti rotation pinblok
Adapter for tube Ø 12 mm (ID = 10 mm) Id. No. 044154

Option

Adapter for tube Ø 10 mm (ID = 8 mm) Id. No. 044149
Adapter for tube Ø 8 mm (ID = 6 mm) Id. No. 044155



Technical data

| SMW-AUTOBLOK Type | Id. No. | max. speed r.p.m. | max. pressure port A media: air, oil, coolant | max. pressure port B media: air only | Weight | Filter requested |
|-------------------|---------|----------------------|--|---|---------|---------------------|
| RU-2-20 | 044972 | 4000 | 40 bar (580 psi) | 10 bar (145 psi) | 0.94 kg | 25 µm |