

RU-1-10

RU-1-16

Rotary union for 1 medium

- For closed and open center cylinders
- Media: air, oil or coolant



Application/customer benefits

- Rotary union for media supply for rotating cylinders

Technical features

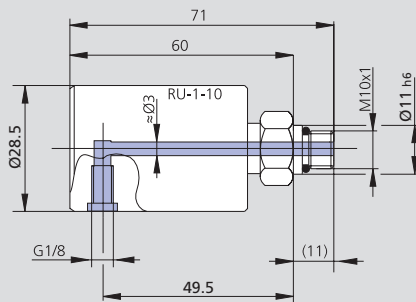
- RU-1-10:** Medium: oil/coolant (**can not** rotate dry) through-hole approx. \varnothing 3 mm
- RU-1-16:** Medium: air/oil/coolant (**can** rotate dry) through-hole approx. \varnothing 4.5 mm
Max. flow rate 30 l/min.

note: The medium must be free of contamination.
Filter 25 μ m requested

Standard equipment

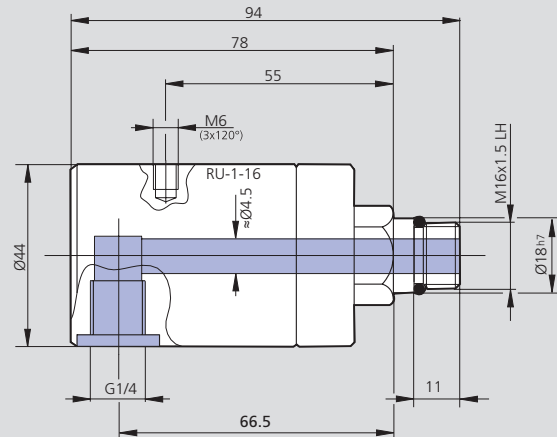
- RU-1-10 Id. No. 014604
- RU-1-16 Id. No. 043271

RU-1-10



Subject to technical changes
For more detailed information please ask for customer drawing

RU-1-16



Subject to technical changes
For more detailed information please ask for customer drawing

Technical data

SMW-AUTOBLOK Type	Id. No.	max. speed	max. pressure	Mass	Filter requested
RU-1-10	014604	7500	15 bar	0.15 kg	25 μ m
RU-1-16	043271	7000	30 bar	0.40 kg	25 μ m