

# HYND-S

INCH  
serration

## Hydraulic front end chuck $\varnothing$ 180 - 400 mm

- oil feed through spindle wall
- 3 and 4 jaws

### Application/customer benefits

- Machining of bars/shafts
- Complete spindle bore can be used
- For machines with rotary tables and special machines

**HYND-S:** Master jaws with INCH serration (1/16" x 90°)

### Technical features

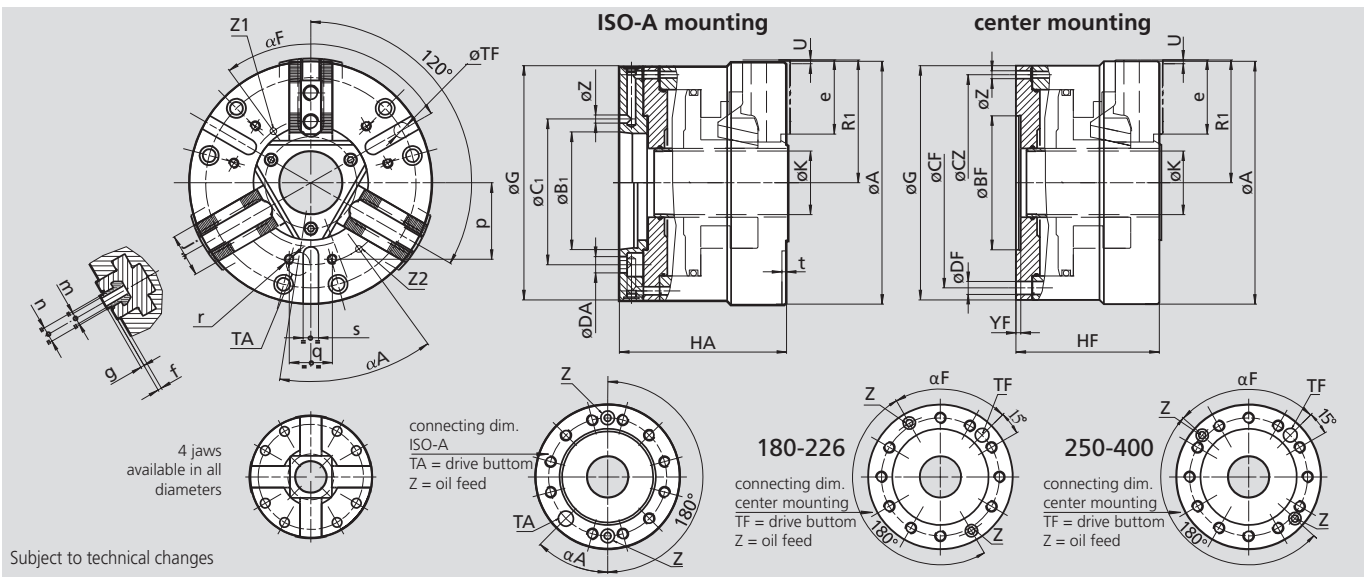
- Power chuck with big through hole, wedge hook design
- Built in cylinder with safty valves
- Chuck body case hardened
- Special mounting dimensions on request

### Standard equipment

3 or 4 jaw chuck  
1 set T-nuts with bolts  
1 set of top jaws  
Mounting bolts  
Grease gun

### Ordering example

3 jaw chuck HYND-S 210-53-3 A06  
or  
4 jaw chuck HYND-S 250-66-4 Z140



### Technical data

SMW-AUTOBLOK Type		HYND-S 180	HYND-S 210	HYND-S 226	HYND-S 250	HYND-S 315	HYND-S 400
Max. pressure	bar	20	25	22	25	22	25
Max. gripping force	kN	72	115	115	135	160	210
Max. speed	r.p.m.	5000	4200	4200	3600	3100	2500
Moment of inertia	kg·m <sup>2</sup>	0.09	0.18	0.22	0.40	0.85	1.9
Weight (without top jaws) (ISO-A)	kg	20	31	34	48	70	145

### Dimensions

Type	A	G	K	R <sub>1</sub> open	U stroke	Z	e	f	g	j	m	n	p	q	r	s	t
	mm	mm	mm	mm	mm	mm	mm	mm	mm	mm	mm	mm	mm	mm	mm	mm	mm
HYND-S 180	180	180	53	90.5	3.5	7	49.5	5	2.5	30	M10	14	-	-	-	-	-
HYND-S 210	212	212	53	108	3.5	7	66	4	2.5	36	M12	17	80	28	M8	16	5
HYND-S 226	226	226	65	116	3.5	7	66	4	2.5	36	M12	17	90	36	M8	16	5
HYND-S 250	254	245	66	128.5	4	8.5	77.5	4	3.5	45	M16	21	80	45	M10	16	5
HYND-S 315	315	305	102	160.5	4.5	8.5	93	4	3.5	45	M16	21	100	60	M10	20	5
HYND-S 400	400	335	130	202	5.5	10	116	5	3.5	62	M20	25.5	135	80	M12	20	5

### Dimensions of chucks with center mounting

Type	B <sub>F</sub> H6	C <sub>F</sub>	C <sub>Z</sub>	D <sub>F</sub>	H <sub>F</sub>	Y <sub>F</sub>	T <sub>F</sub>	α <sub>F</sub>	Mass
	mm	mm	mm	mm	mm	mm	mm	deg.	kg
HYND-S 180	140	163	165	9	119	6	8	45°	17
HYND-S 210	110	190	190	11	126	5	12	75°	27
HYND-S 226	140	206	206	11	129	5	12	30°	30
HYND-S 250	140	220	226	13.5	150	5	16	96°	42
HYND-S 315	140	262	280	17	160	5	16	96°	60
HYND-S 400	200	280	235	17	190	5	20	65°	133

### Dimensions of chucks with ISO-A mounting

Type	B <sub>A</sub> J4	C <sub>A</sub>	D <sub>A</sub>	H <sub>A</sub>	α <sub>A</sub>
	mm	mm	mm	mm	deg.
HYND-S 180 A5	82.563	104.8	11.5	137	45°
HYND-S 180 A6	106.375	133.4	13.5	140	45°
HYND-S 210 A5	82.563	104.8	11.5	146	45°
HYND-S 210 A6	106.375	133.4	13.5	146	45°
HYND-S 226 A6	106.375	133.4	13.5	149	45°
HYND-S 250 A6	106.375	133.4	13.5	175	45°
HYND-S 250 A8	139.719	171.4	17	175	45°
HYND-S 315 A8	139.719	171.4	17	185	45°
HYND-S 315 A11	196.869	235	21	185	45°
HYND-S 400 A8	139.719	171.4	17	220	45°
HYND-S 400 A11	196.869	235	21	220	45°