

# Chuck flanges

DIN 55026 / ISO-A 702/1

## Mounting flanges on short taper spindle noses

- direct and indirect mounting
- reduction and increase mounting



### Application/customer benefits

- Chuck flanges for short taper mount spindles (DIN 55026/ISO-A 702/1).
- Easy installation of chucks on the machine spindle.

**Flange FF 1** = Direct mounting

**Flange FF 2** = Reduction of taper

**Flange FF 3** = Increase of taper

### Technical data

- Case hardened flanges (up to Ø 220)
- High precision grinding of the taper and all reference dimensions

### Standard equipment

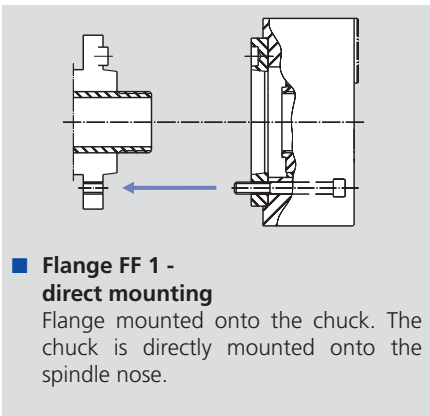
Fixing bolts of the indirect mounting flange on the spindle nose

### Ordering example

Direct flange FF 1 A6 Id. No. 24162000

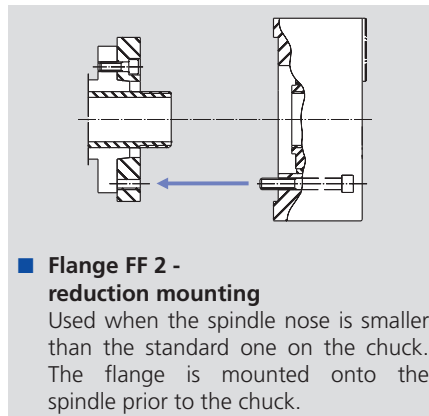
or

Reduction flange FF 2 A5 Id. No. 24152000



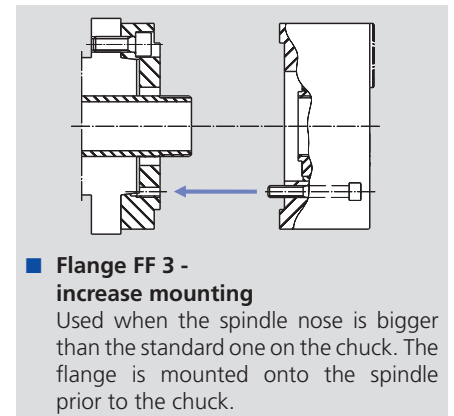
#### ■ Flange FF 1 - direct mounting

Flange mounted onto the chuck. The chuck is directly mounted onto the spindle nose.



#### ■ Flange FF 2 - reduction mounting

Used when the spindle nose is smaller than the standard one on the chuck. The flange is mounted onto the spindle prior to the chuck.



#### ■ Flange FF 3 - increase mounting

Used when the spindle nose is bigger than the standard one on the chuck. The flange is mounted onto the spindle prior to the chuck.

## The easy way to adapt your SMW-AUTOBLOK chuck to your machine spindle

| Chuck Ø   | Chuck models                          |               |           |     |     |     |             |              |                         |      |              | Flange FF 1       |              | Flange FF 2       |              | Flange FF 3       |              |                   |              |                   |
|-----------|---------------------------------------|---------------|-----------|-----|-----|-----|-------------|--------------|-------------------------|------|--------------|-------------------|--------------|-------------------|--------------|-------------------|--------------|-------------------|--------------|-------------------|
|           | AN-, AL-, FRC (1)<br>AP-, NF-, FRS(1) | IN-, IL-, IR- | 2CL-, RAN | BH- | RC- | BB- | BH-FC, TPT- | KNCS-, HFK-N | TSF-, TSR-, TX-,<br>TE- | IEP- | Spindle nose | Flange Id. number | Spindle nose | Flange Id. number | Spindle nose | Flange Id. number | Spindle nose | Flange Id. number | Spindle nose | Flange Id. number |
| 125       | ●                                     |               |           |     |     |     |             |              |                         |      | A4           | 24141300          | -            | -                 | -            | -                 | A5           | 24151310          | A6           | 24161310          |
| 130       |                                       |               |           | ●   |     |     |             |              |                         |      | A5           | 075421            | -            | -                 | -            | -                 | -            | -                 | -            | -                 |
| 140 Z120  |                                       |               |           |     |     |     |             | ●            |                         |      | A5           | 24151400          | A4           | 24141400          | -            | -                 | A6           | 24161410          | -            | -                 |
| 140 Z130  |                                       |               | ●         |     |     | ●   |             |              |                         |      | A5           | 24151600          | A4           | 24141600          | -            | -                 | A6           | 24161610          | A8           | 24181710          |
| 160       |                                       |               |           |     |     |     |             |              |                         |      | A5           | 24151700*         |              |                   |              |                   | A6           | 24161610          | A8           | 24181710          |
| 165       | ●                                     |               |           | ●   | ●   |     | ●           |              |                         |      | A5           | 24151600          | A4           | 24141600          | -            | -                 | A6           | 24161610          | A8           | 24181710          |
| 170 Z140  | ●                                     |               |           |     |     |     |             | ●            |                         |      | A6           | 24161720          | A5           | 24151720          | -            | -                 | A8           | 24181720          | -            | -                 |
| 170 Z160  |                                       |               |           |     |     |     |             |              |                         |      | A6           | 24161720          | A5           | 24151720          | -            | -                 | A8           | 24181720          | -            | -                 |
| 175       |                                       |               |           |     |     |     | ●           |              |                         |      | A6           | 24161720          | A5           | 24151720          | -            | -                 | A8           | 24181720          | -            | -                 |
| 200       |                                       |               | ●         |     |     |     |             |              |                         |      | A6           | 24162000          | A5           | 24152000          | -            | -                 | A8           | 24182010          | -            | -                 |
| 210/215   | ●                                     |               |           | ●   | ●   | ●   | ●           | ●            | ●                       |      | A6           | 24162000          | A5           | 24152000          | -            | -                 | A8           | 24182010          | -            | -                 |
| 225       |                                       |               |           |     |     |     |             | ●            |                         |      | A6           | 24162500*         | A5           | 24152000          | -            | -                 | A8           | 24182010          | -            | -                 |
| 260 Z170  |                                       |               |           |     |     |     |             |              |                         |      | A8           | 24182500          | A6           | 24162530          | A5           | 24152500          | A11          | 24112510          | -            | -                 |
| 250       | ●                                     |               | ●         | ●   | ●   | ●   | ●           | ●            | ●                       |      | A8           | 24182500          | A6           | 24162530          | A5           | 24152500          | A11          | 24112510          | -            | -                 |
| 260 Z220  | ●                                     |               |           |     |     |     |             |              |                         |      | A8           | 24182500          | A6           | 24162530          | A5           | 24152500          | A11          | 24112510          | -            | -                 |
| 315 Z220  | ●                                     |               | ●         |     |     |     |             | ●            |                         |      | A8           | 24183050          | A6           | 24163500          |              |                   |              |                   |              |                   |
| 305       |                                       |               |           |     |     |     |             |              |                         |      | A8           | 24183050          | A6           | 24163500          |              |                   |              |                   |              |                   |
| 305       |                                       |               |           |     |     |     |             |              |                         |      | A11          | 24113500          | A6           | 24163500          |              |                   |              |                   |              |                   |
| 315 Z300  |                                       |               |           | ●   |     | ●   | ●           | ●            | ●                       |      | A11          | 24113100          | A8           | 24183100          | A6           | 24163100          | A15          | 24123110          | -            | -                 |
| 400 Z300  | ●                                     |               |           | ●   | ●   |     | ●           | ●            | ●                       |      | A11          | 24113100          | A8           | 24183100          | A6           | 24163100          | A15          | 24123110          | -            | -                 |
| 450 Z300  | ●                                     |               |           | ●   | ●   |     | ●           | ●            | ●                       |      | A11          | 24113110*         | A8           | 24184000*         | A6           | 24163100          | A15          | 24123110          | -            | -                 |
| 500 Z300  |                                       |               |           |     |     |     |             |              |                         |      | A11          | 24113110*         | A8           | 24184000*         | A6           | 24163100          | A15          | 24123110          | -            | -                 |
| 400 Z380  |                                       |               |           |     |     |     |             |              |                         |      | A15          | 24125000          | A11          | 24115000          | A8           | 24185000          | A20          | 24175000          | -            | -                 |
| 500 Z380  | ●                                     | ●             |           | ●   | ●   |     | ●           | ●            | ●                       | ●    | A15          | 24125000          | A11          | 24115000          | A8           | 24185000          | A20          | 24175000          | -            | -                 |
| 630 Z380  | ●                                     | ●             |           | ●   | ●   |     | ●           | ●            | ●                       | ●    | A15          | 24127100*         | A11          | 24115000          | A8           | 24185000          | A20          | 24175000          | -            | -                 |
| 800 Z380  | ●                                     | ●             |           | ●   | ●   |     | ●           | ●            | ●                       | ●    | A15          | 24127100*         | A11          | 24115000          | A8           | 24185000          | A20          | 24175000          | -            | -                 |
| 630 Z520  |                                       |               |           | ●   |     |     |             |              |                         |      | A15          | 24127100*         | A11          | 24115000          | A8           | 24185000          | A20          | 24175000          | -            | -                 |
| 800 Z520  | ●                                     |               |           | ●   |     |     |             |              |                         | ●    | A20          | 24178000          | A15          | 24126100          | A11          | 24116100          | -            | -                 | -            | -                 |
| 1000 Z520 |                                       | ●             |           |     |     |     |             |              |                         |      | A20          | 24178000          | A15          | 24126100          | A11          | 24116100          | -            | -                 | -            | -                 |
| 1250 Z520 |                                       | ●             |           |     |     |     |             |              |                         |      | A20          | 24178000          | A15          | 24126100          | A11          | 24116100          | -            | -                 | -            | -                 |
| 1400 Z720 |                                       | ●             |           |     |     |     |             |              |                         |      | A20          | 24178000          | A15          | 24126100          | A11          | 24116100          | -            | -                 | -            | -                 |
| 1600 Z720 |                                       | ●             |           |     |     |     |             |              |                         |      | A20          | 24178000          | A15          | 24126100          | A11          | 24116100          | -            | -                 | -            | -                 |
| 1800 Z720 |                                       | ●             |           |     |     |     |             |              |                         |      | A20          | 24178000          | A15          | 24126100          | A11          | 24116100          | -            | -                 | -            | -                 |
| 2000 Z720 |                                       | ●             |           |     |     |     |             |              |                         |      | A20          | 24178000          | A15          | 24126100          | A11          | 24116100          | -            | -                 | -            | -                 |

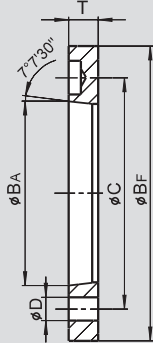
\* Suggestion: This flange is thicker than the standard one, to be used only if necessary!

Note (1): For 285 FRC/FRS see 250 AN-, for 365 FRC/FRS see 400 AN-

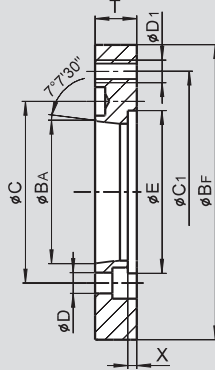
- direct and indirect mounting
- reduction and increase mounting

DIN 55026 / ISO-A 702/1

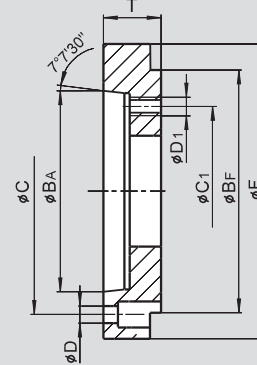
**Flange FF 1**  
ISO-A mounting direct



**Flange FF 2**  
ISO-A mounting reduction



**Flange FF 3**  
ISO-A mounting increase



Subject to technical changes

## Flange FF 1

| Flange Id. No. | Spindle nose | BF mm | BA mm   | C mm  | D mm | T mm | Weight kg |
|----------------|--------------|-------|---------|-------|------|------|-----------|
| 24141300       | A4           | 115   | 63.513  | 82.6  | 11.5 | 13   | 0.6       |
| 075421         | A5           | 120   | 82.563  | 104.8 | 10.5 | 16   | 0.7       |
| 24151400       | A5           | 130   | 82.563  | 104.8 | 11.5 | 15   | 0.75      |
| 24151600       | A5           | 140   | 82.563  | 104.8 | 11.5 | 15   | 1         |
| 24151700*      | A5           | 140   | 82.563  | 104.8 | 11.5 | 24   | 1.5       |
| 24161720       | A6           | 160   | 106.375 | 133.4 | 13.5 | 17   | 1.2       |
| 24162000       | A6           | 170   | 106.375 | 133.4 | 13.5 | 17   | 1.5       |
| 24162500*      | A6           | 170   | 106.375 | 133.4 | 13.5 | 24   | 2.2       |
| 24182500       | A8           | 220   | 139.719 | 171.4 | 17   | 19   | 2.7       |
| 24182510*      | A8           | 220   | 139.719 | 171.4 | 17   | 27   | 4         |
| 24183050       | A8           | 280   | 139.719 | 171.4 | 17   | 19   | 6.5       |
| 24113100       | A11          | 300   | 196.869 | 235   | 21   | 21   | 5.5       |
| 24113110*      | A11          | 300   | 196.869 | 235   | 21   | 30   | 8         |
| 24113500       | A11          | 280   | 196.869 | 235   | 21   | 21   | 4         |
| 24125000       | A15          | 380   | 285.775 | 330.2 | 25   | 23   | 8         |
| 24127100*      | A15          | 380   | 285.775 | 330.2 | 25   | 33   | 11.5      |
| 24178000       | A20          | 520   | 412.775 | 463.6 | 27   | 25   | 14.5      |

\* Suggestion: This flange is thicker than the standard one, to be used only if necessary!

## Flange FF 2

| Flange Id. No. | Spindle nose | BF mm | BA mm   | C mm  | D mm | C1 mm | D1 mm | E mm | X mm | T mm | Weight kg |
|----------------|--------------|-------|---------|-------|------|-------|-------|------|------|------|-----------|
| 24141400       | A4           | 130   | 63.513  | 82.6  | 11.5 | 104.8 | M10   | -    | -    | 20   | 1.2       |
| 24141600       | A4           | 140   | 63.513  | 82.6  | 11.5 | 104.8 | M10   | -    | -    | 20   | 1.6       |
| 24151720       | A5           | 160   | 82.563  | 104.8 | 11.5 | 133.4 | M12   | -    | -    | 24   | 2.2       |
| 24152000       | A5           | 170   | 82.563  | 104.8 | 11.5 | 133.4 | M12   | -    | -    | 24   | 2.7       |
| 24152500       | A5           | 220   | 82.563  | 104.8 | 11.5 | 171.4 | M16   | -    | -    | 24   | 5.5       |
| 24162530       | A6           | 220   | 106.375 | 133.4 | 13.5 | 171.4 | M16   | -    | -    | 24   | 5         |
| 24163100       | A6           | 300   | 106.375 | 133.4 | 13.5 | 235   | M20   | 155  | 10   | 30   | 11        |
| 24163500       | A6           | 280   | 106.375 | 133.4 | 13.5 | 235   | M20   | -    | -    | 30   | 9         |
| 24183100       | A8           | 300   | 139.719 | 171.4 | 17   | 235   | M20   | -    | -    | 30   | 11.5      |
| 24184000*      | A8           | 300   | 139.719 | 171.4 | 17   | 235   | M20   | 155  | 10   | 40   | 15.5      |
| 24185000       | A8           | 380   | 139.719 | 171.4 | 17   | 330.2 | M24   | 197  | 10   | 40   | 24        |
| 24115000       | A11          | 380   | 196.869 | 235   | 21   | 330.2 | M24   | 197  | 10   | 40   | 21        |
| 24116100       | A11          | 520   | 196.869 | 235   | 21   | 463.6 | M24   | 267  | 12   | 45   | 54        |
| 24126100       | A15          | 520   | 285.775 | 330.2 | 25   | 463.6 | M24   | -    | -    | 40   | 40        |
| 24179400       | A20          | 720   | 412.775 | 463.6 | 27   | 647.6 | M30   | -    | -    | 50   | 93        |

\* Suggestion: This flange is thicker than the standard one, to be used only if necessary!

## Flange FF 3

| Flange Id. No. | Spindle nose | BF mm | BA mm   | C mm  | D mm | C1 mm | D1 mm | F mm | T mm | Weight kg |
|----------------|--------------|-------|---------|-------|------|-------|-------|------|------|-----------|
| 24151310       | A5           | 115   | 82.563  | 104.8 | 11.5 | 82.6  | M10   | 127  | 30   | 1.7       |
| 24161310       | A6           | 115   | 106.375 | 133.4 | 13.5 | 82.6  | M10   | 165  | 35   | 3.5       |
| 24161410       | A6           | 130   | 106.375 | 133.4 | 13.5 | 104.8 | M10   | 165  | 35   | 3.4       |
| 24161610       | A6           | 140   | 106.375 | 133.4 | 13.5 | 104.8 | M10   | 165  | 35   | 3.3       |
| 24181710       | A8           | 140   | 139.719 | 171.4 | 17   | 104.8 | M10   | 210  | 35   | 5.2       |
| 24181720       | A8           | 160   | 139.719 | 171.4 | 17   | 133.4 | M12   | 210  | 40   | 5.8       |
| 24182010       | A8           | 170   | 139.719 | 171.4 | 17   | 133.4 | M12   | 210  | 40   | 6.2       |
| 24112510       | A11          | 220   | 196.869 | 235   | 21   | 171.4 | M16   | 280  | 45   | 11.8      |
| 24123110       | A15          | 300   | 285.775 | 330.2 | 25   | 235   | M20   | 380  | 50   | 22        |
| 24175000       | A20          | 380   | 412.777 | 463.6 | 27   | 330.2 | M24   | 520  | 58   | 55        |