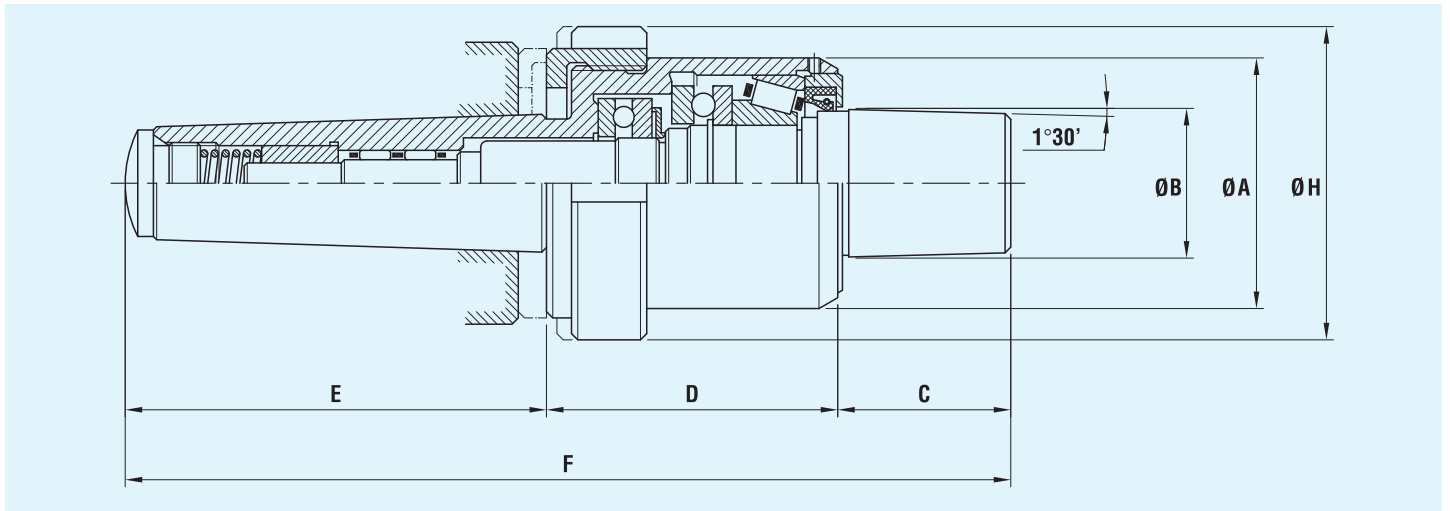


用专用免维护油脂润滑的、承载含轴向负荷分布及可调径向圆锥滚子轴承
(含支架和拔取螺母)的管道车削活顶尖的 FRB 加工头



FRB HEAD CARRYING LIVE CENTER FOR PIPE TURNING WITH AXIAL LOAD DISTRIBUTION AND ADJUSTABLE RADIAL TAPER ROLLER BEARING WITH SUPPORT AND EXTRACTION NUT, LUBRICATED WITH SPECIAL MAINTENANCE FREE GREASE

“ 80-T 系列 ” - “ 80-T SERIES ”

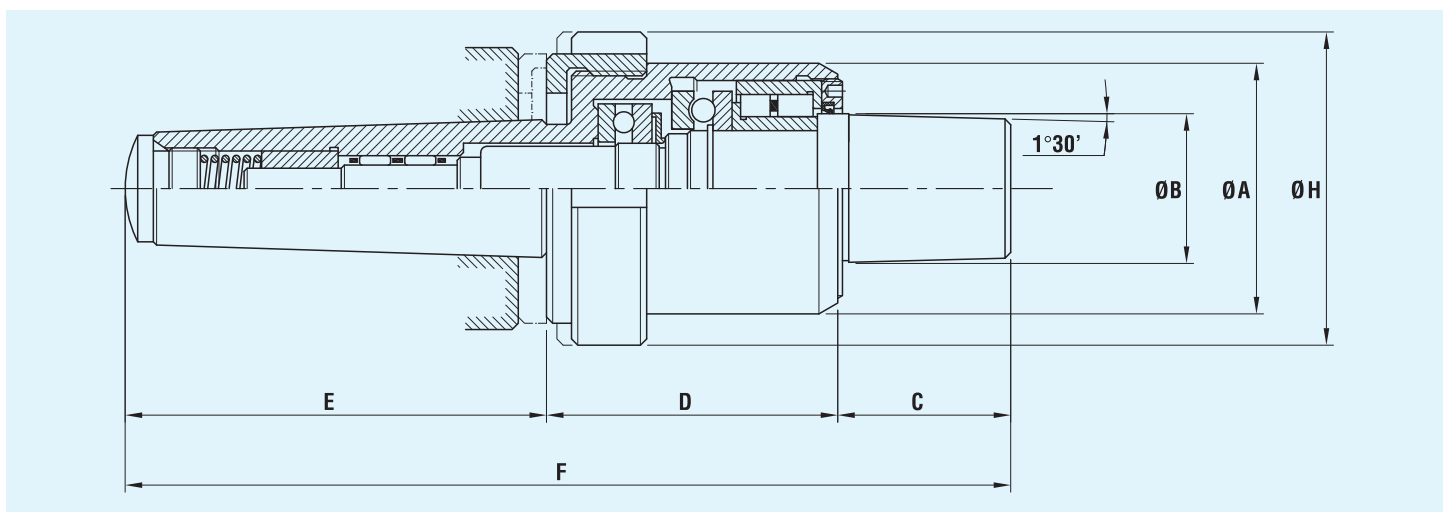


代码 Code	莫氏锥度 Morse Taper	尺寸 mm (英寸) / Dimensions in mm (inch)							
		C	D	E	ØA	ØB	F	ØH	
010180127	CM2 / MT2	35 (1.378)	56 (2.205)	67 (2.638)	49 (1.929)	22 (0.866)	158 (6.220)	58 (2.283)	
010180137	CM3 / MT3	42 (1.654)	62.5 (2.461)	83 (3.268)	56.5 (2.224)	29.7 (1.169)	187.5 (7.382)	66 (2.598)	
010180147	CM4 / MT4	42 (1.654)	68 (2.677)	103 (4.055)	62 (2.441)	35 (1.378)	213 (8.386)	74 (2.913)	
010180157	CM5 / MT5	42 (1.654)	83 (3.268)	136 (5.354)	80 (3.150)	35 (1.378)	260.5 (10.256)	88 (3.465)	
010180167	CM6 / MT6	42.5 (1.673)	123 (4.843)	189 (7.441)	119 (4.685)	35 (1.378)	354 (13.937)	130 (5.118)	

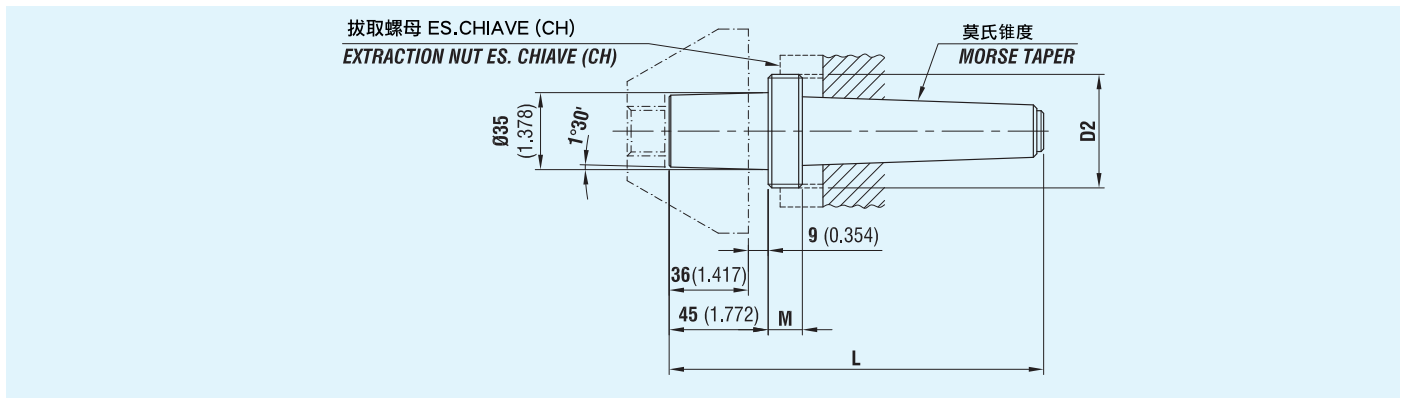
用专用免维护油脂润滑的、承载含轴向负荷分布及圆柱滚子轴承 (含支架
和拔取螺母)的管道车削活顶尖的 FRB 加工头

FRB HEAD CARRYING LIVE CENTER FOR PIPE TURNING WITH AXIAL LOAD DISTRIBUTION AND RADIAL CYLINDRICAL ROLLER BEARING WITH SUPPORT AND EXTRACTION NUT, LUBRICATED WITH SPECIAL MAINTENANCE FREE GREASE

“ 85-T 系列 ” - “ 85-T SERIES ”



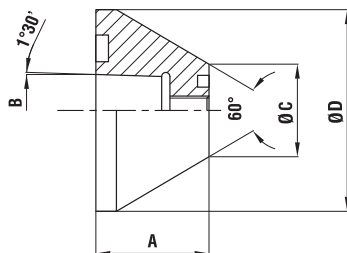
代码 Code	莫氏锥度 Morse Taper	尺寸 mm (英寸) / Dimensions in mm (inch)							
		C	D	E	ØA	ØB	F	ØH	
010185127	CM2 / MT2	35 (1.378)	56 (2.205)	67 (2.638)	49 (1.929)	22 (0.866)	158 (6.220)	58 (2.283)	
010185137	CM3 / MT3	42 (1.654)	62.5 (2.461)	83 (3.268)	56.5 (2.224)	29.7 (1.169)	187.5 (7.382)	66 (2.598)	
010185147	CM4 / MT4	42 (1.654)	68 (2.677)	103 (4.055)	62 (2.441)	35 (1.378)	213 (8.386)	74 (2.913)	
010185157	CM5 / MT5	42 (1.654)	83 (3.268)	136 (5.354)	80 (3.150)	35 (1.378)	260.5 (10.256)	88 (3.465)	
010185167	CM6 / MT6	42.5 (1.673)	123 (4.843)	189 (7.441)	119 (4.685)	35 (1.378)	354 (13.937)	130 (5.118)	



代码 Code	莫氏锥度 Morse Taper	尺寸 mm (英寸) / Dimensions in mm (inch)			
		D2	L	M	CH
123100926	CM3 / MT3	M48 X 1.5	145 (5.709)	14 (0.551)	60 (2.362)
123100927	CM4 / MT4	M48 X 1.5	170 (6.693)	16 (0.630)	60 (2.362)
123100928	CM5 / MT5	M48 X 1.5	201 (7.913)	16 (0.630)	60 (2.362)
123100929	CM6 / MT6	M69 X 2	263 (10.354)	28 (1.102)	80 (3.150)

管道车削及磨削加工头

HEADS FOR TURNING AND GRINDING OF PIPES



可装在：承载含轴向符合分布的活顶尖的FRB加工头和承载磨削活顶尖的FRB加工头。
可以用不同的角度制造，根据客户要求。

*Can be fitted to: FRB head carrying live centers with axial load distribution and FRB head carrying live centers for grinding.
They can be manufactured with different angles on customer's request.*

适于含 MT4-MT5-MT6-MT7-M80-M100 等锥度的活顶尖

FOR LIVE CENTERS WITH MT4-MT5-MT6-MT7-M80-M100 TAPERS

代码 Code	尺寸 mm (英寸) / Dimensions in mm (inch)			
	A	B	Ø C	Ø D
040400265	55 (2.165)	35 (1.378)	45 (1.772)	98 (3.858)
040400266	55 (2.165)	35 (1.378)	95 (3.740)	148 (5.827)
040400267	55 (2.165)	35 (1.378)	145 (5.709)	198 (7.795)
040400268	55 (2.165)	35 (1.378)	195 (7.677)	248 (9.764)
040400269	55 (2.165)	35 (1.378)	245 (9.646)	298 (11.732)
040400270	55 (2.165)	35 (1.378)	295 (11.614)	348 (13.701)
040400271	55 (2.165)	35 (1.378)	345 (13.583)	398 (15.669)
040400272	55 (2.165)	35 (1.378)	395 (15.551)	448 (17.638)
040400273	55 (2.165)	35 (1.378)	445 (17.520)	498 (19.606)



适于含 MT3 锥度的活顶尖

FOR LIVE CENTERS WITH MT3 TAPER

代码 Code	尺寸 mm (英寸) / Dimensions in mm (inch)			
	A	B	Ø C	Ø D
040400274	55 (2.165)	29.5 (1.161)	45 (1.772)	98 (3.858)
040400275	55 (2.165)	29.5 (1.161)	95 (3.740)	148 (5.827)
040400276	55 (2.165)	29.5 (1.161)	145 (5.709)	198 (7.795)
040400277	55 (2.165)	29.5 (1.161)	195 (7.677)	248 (9.764)

适于含 MT2 锥度的活顶尖

FOR LIVE CENTERS WITH MT2 TAPER

代码 Code	尺寸 mm (英寸) / Dimensions in mm (inch)			
	A	B	Ø C	Ø D
040400278	50 (1.969)	22 (0.866)	40 (1.575)	85 (3.346)
040400279	50 (1.969)	22 (0.866)	80 (3.150)	125 (4.921)