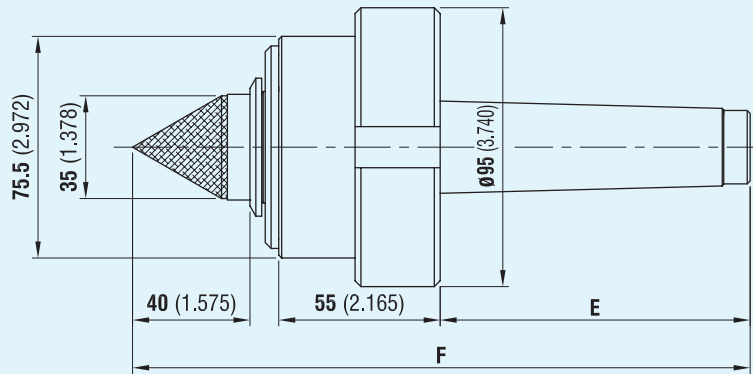
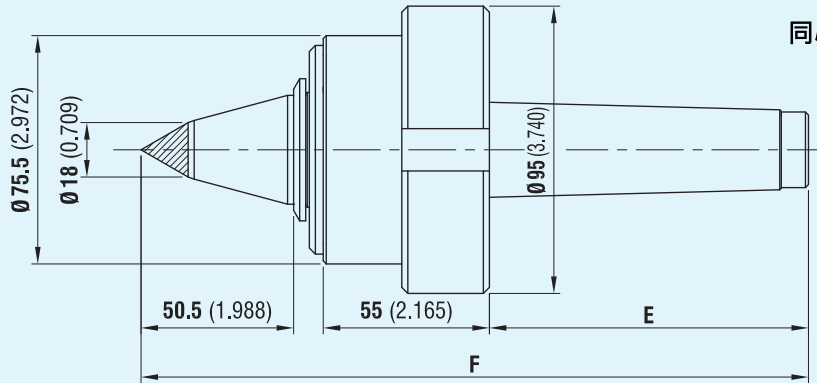


同心度 / CONCENTRICITY 0.005



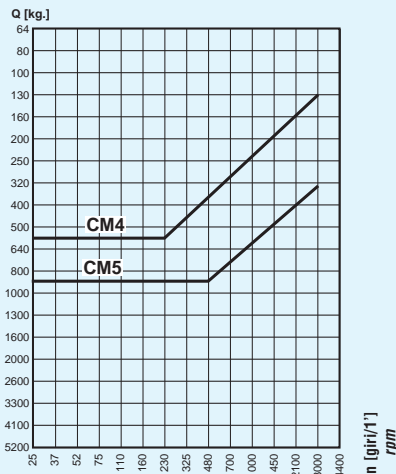
代码 Code	莫氏锥度 Morse Taper	尺寸 mm (英寸) / Dimensions in mm (inch)	
		E	F
010108145	CM4 / MT4	105.5 (4.154)	210.5 (8.287)
010108155	CM5 / MT5	132.5 (5.217)	237.5 (9.350)

同心度 / CONCENTRICITY 0.005

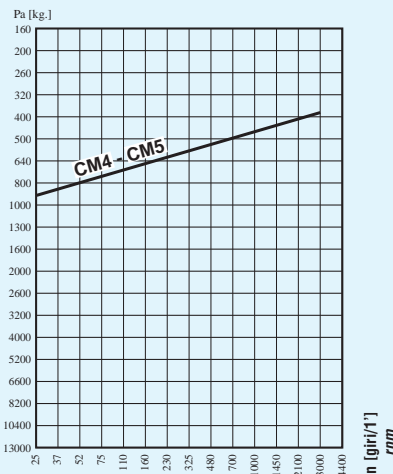


代码 Code	莫氏锥度 Morse Taper	尺寸 mm (英寸) / Dimensions in mm (inch)	
		E	F
010108146	CM4 / MT4	105.5 (4.154)	221 (8.701)
010108156	CM5 / MT5	132.5 (5.217)	248 (9.764)

径向负荷 (工件重量) (Kg)  
Radial Load (Workpiece weight) in Kg



轴向负荷 (Kg)  
Axial Load in Kg



显示值。有关进一步详情，请联系我们的技术室。

INDICATIVE VALUES. For further and more detailed information, contact our technical office.