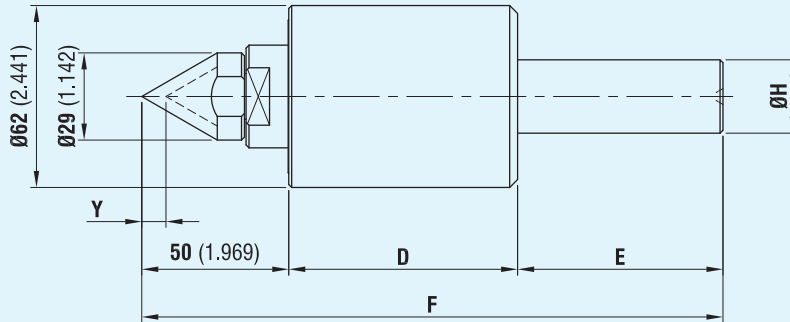


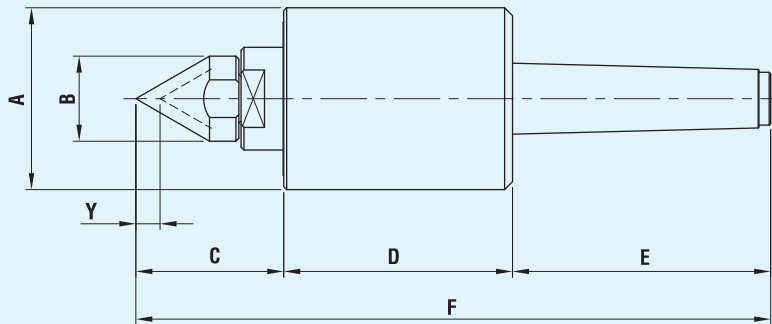
同心度 / CONCENTRICITY 0.010



Y=	冲程 / Stroke	负荷 / Load
	mm (inch)	KG (lb)
	1.5 (0.059)	200 (440.92)
	3 (0.118)	400 (881.83)
	4.5 (0.177)	600 (1322.75)

代码 Code	柄 Shank	尺寸 mm (英寸) / Dimensions in mm (inch)			
		D	E	F	Ø H
010180625	圆柱 / Cylindrical	75 (2.953)	65 (2.559)	190 (7.480)	25 (0.984)
010180632	圆柱 / Cylindrical	75 (2.953)	65 (2.559)	190 (7.480)	32 (1.260)

同心度 / CONCENTRICITY 0.010



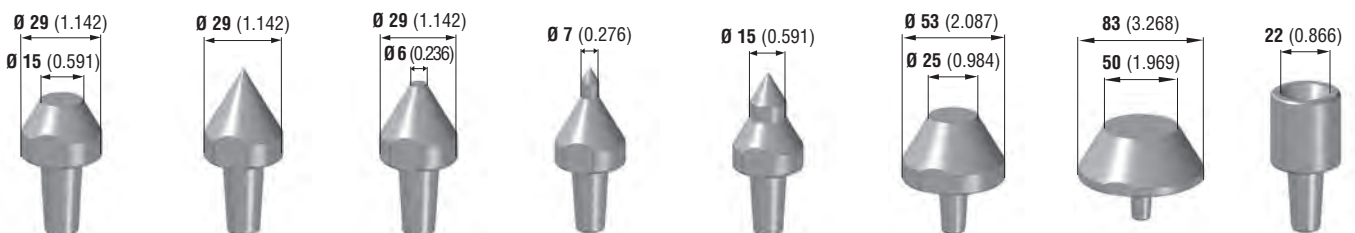
Y=	冲程 / Stroke	负荷 / Load
	mm (inch)	KG (lb)
	1.5 (0.059)	200 (440.92)
	3 (0.118)	400 (881.83)
	4.5 (0.177)	600 (1322.75)

代码 Code	莫氏锥度 Morse Taper	尺寸 mm (英寸) / Dimensions in mm (inch)					
		A	B	C	D	E	F
010181204	CM3 / MT3	62 (2.441)	29 (1.142)	50 (1.969)	78 (3.071)	88 (3.465)	216 (8.504)

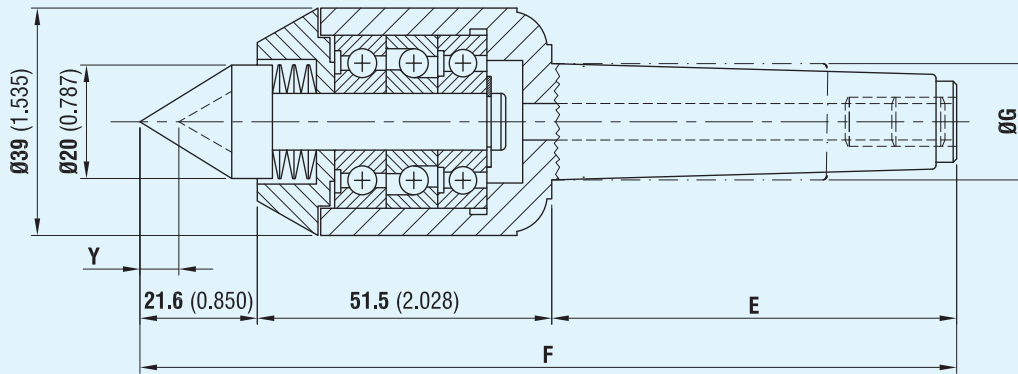
可互换顶尖

INTERCHANGEABLE CENTERS

FR94	FR95	FR96	FR97 Ø7	FR97 Ø15	FR98	FR98-A	FR99
代码 / Code							
030315204	030316204	030317204	030318204	030318214	030319204	030319214	030320204



同心度 / CONCENTRICITY 0.010



Y =

冲程 / Stroke	负荷 / Load
mm (inch)	KG (lb)
3 (0.118)	90 (198.41)

代码 Code	柄 Shank	尺寸 mm (英寸) / Dimensions in mm (inch)		
		E	F	Ø G
010180715	圆柱 / Cylindrical	50 (1.969)	123.1 (4.846)	15 h7 (0.591)
010180819	圆柱 / Cylindrical	50 (1.969)	123.1 (4.846)	19.05 h7 (0.750)
010180925	圆柱 / Cylindrical	50 (1.969)	123.1 (4.846)	25.4 h7 (1.000)
010181001	锥度 1 / Taper 1	60 (2.362)	133.1 (5.240)	12.2 (0.480)
010181102	锥度 2 / Taper 2	71 (2.795)	144.1 (5.673)	18 (0.709)
010181203	锥度 3 / Taper 3	88 (3.465)	161.1 (6.343)	24.1 (0.949)
010181304	锥度 4 / Taper 4	110 (4.331)	183.1 (7.209)	31.6 (1.244)