

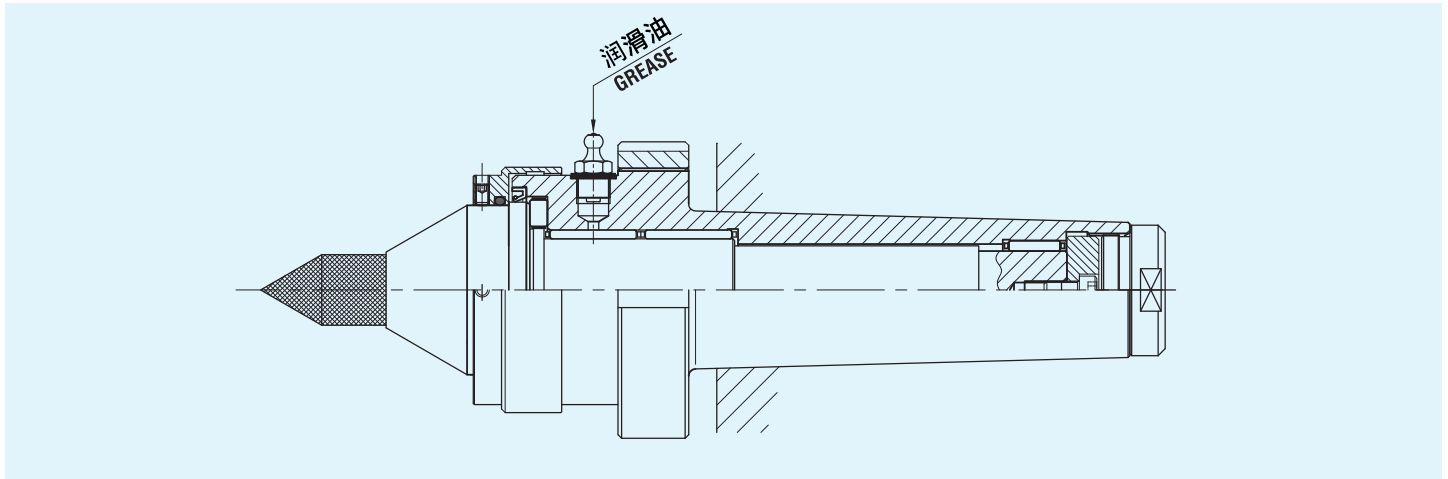
LIVE CENTERS FOR GRINDING “92 SERIES”

油脂润滑活顶尖的维护说明

每隔150个运转小时后，使用润滑脂（GREASE MOLYKOTE BR 2 PLUS）倒进适合拟合。

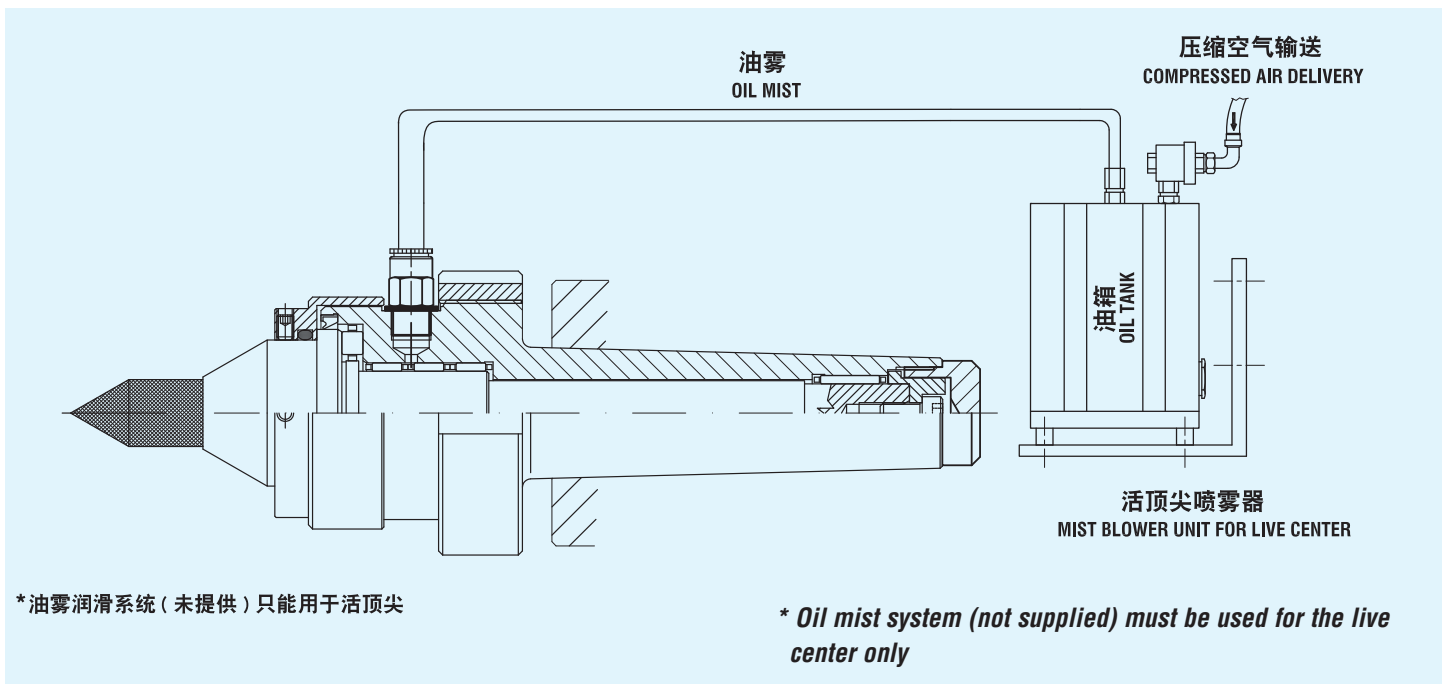
INSTRUCTIONS FOR MAINTENANCE OF GREASE LUBRICATED LIVE CENTERS

Every 150 working hours lubricate with GREASE MOLYKOTE BR 2 PLUS through the suitable grease fitting.



油雾润滑系统

OIL MIST LUBRICATION SYSTEM



*油雾润滑系统（未提供）只能用于活顶尖

* Oil mist system (not supplied) must be used for the live center only

油雾润滑系统：

类型 1°：消耗全部传输油的固定装置。

压力：1.5 ÷ 2 bar

每分钟油滴：2 ÷ 3

类型 2°：消耗 10% 传输油并循环 90% 传输油的固定装置。

压力：3 ÷ 4 bar

每分钟油滴：20 ÷ 30

（油雾润滑系统只能用于活顶尖）建议用油：美孚中级循环油粘度：ISO 46 或轻级循环油 ISO 32

Oil mist lubrication systems:

1° type: Fixture with total consumption of the delivery drop.

Pressure: 1.5 ÷ 2 bar

Drops of oil per minute: 2 ÷ 3

2° type: Fixture with a 10% consumption of the delivery drop and recovery of 90% of the drop.

Pressure: 3 ÷ 4 bar

Drops of oil per minute: 20 ÷ 30

(Oil mist system must be used for the live center only)

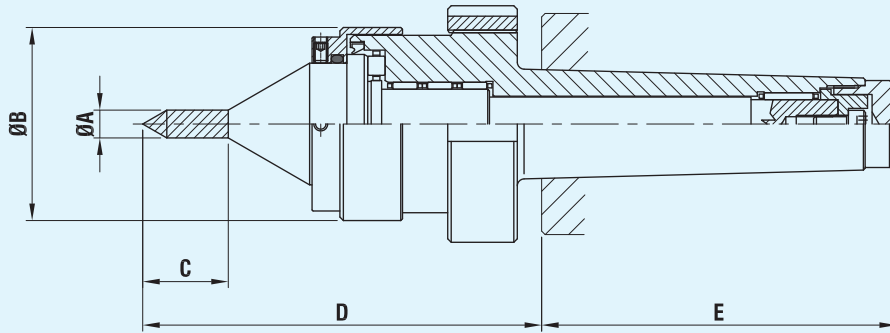
Recommended oil: Mobil DTE Oil Medium viscosity: ISO 46 or DTE Light ISO 32

LIVE CENTERS FOR GRINDING “92 SERIES”

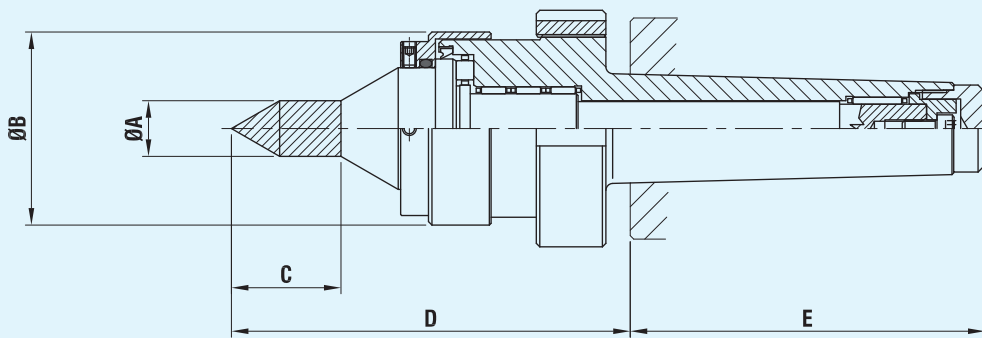
公差 / with tolerances:

圆度 / roundness < 0.0015

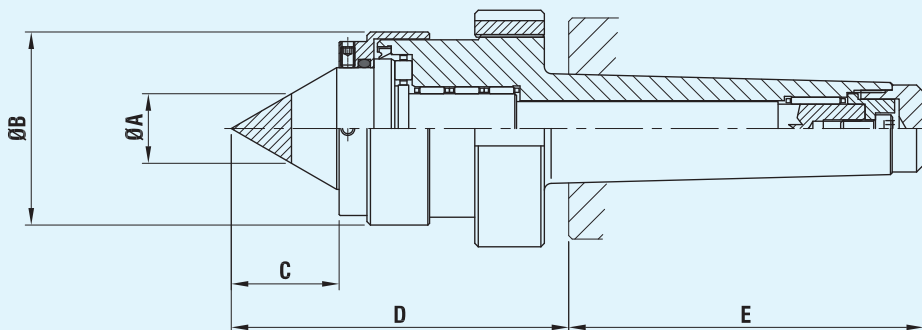
偏心率 / eccentricity < 0.0025



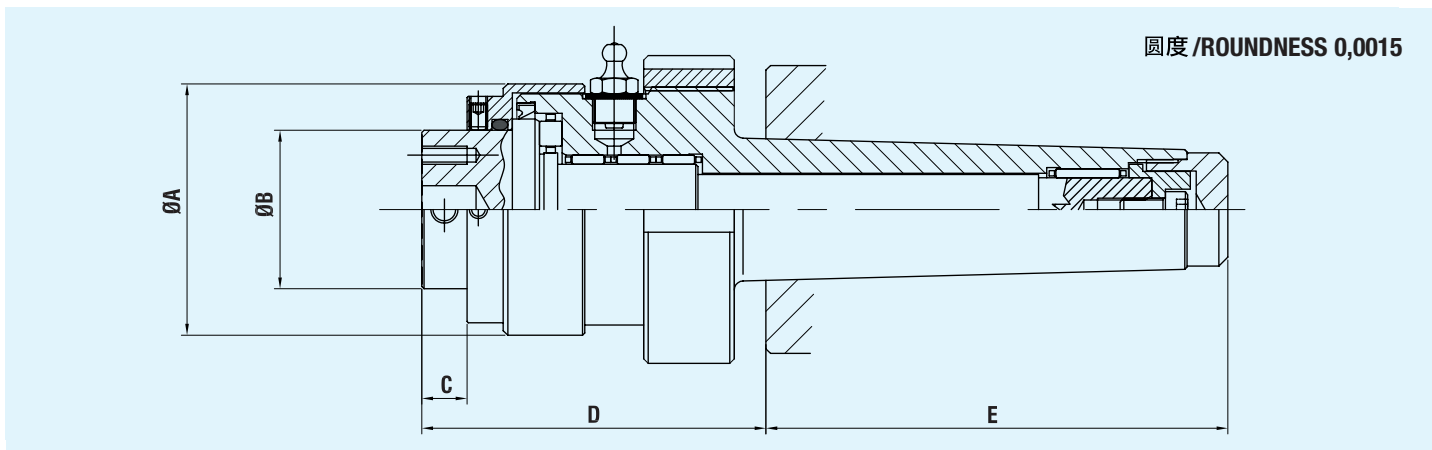
油脂润滑系统 - 代码 Grease lubrication system - code	油雾润滑系统 - 代码 Oil mist lubrication system - code	莫氏锥度 Morse Taper	尺寸 mm (英寸) / Dimensions in mm. (inch)				
			Ø A	Ø B	C	D	E
010921101	010921113	CM3/MT3	8 (0.315)	51 (2.008)	24.7 (0.972)	100 (3.937)	81.7 (3.217)
010921102	010921114	CM4/MT4	8 (0.315)	55.5 (2.185)	24.5 (0.965)	115 (4.528)	102 (4.016)
010921103	010921115	CM5/MT5	12 (0.472)	69.5 (2.736)	28.5 (1.122)	129 (5.079)	127 (5.000)



油脂润滑系统 - 代码 Grease lubrication system - code	油雾润滑系统 - 代码 Oil mist lubrication system - code	莫氏锥度 Morse Taper	尺寸 mm (英寸) / Dimensions in mm. (inch)				
			Ø A	Ø B	C	D	E
010922101	010921123	CM3/MT3	16 (0.630)	51 (2.008)	31.5 (1.240)	100 (3.937)	81.7 (3.217)
010922102	010921124	CM4/MT4	16 (0.630)	55.5 (2.185)	31.5 (1.240)	115 (4.528)	102 (4.016)
010922103	010921125	CM5/MT5	20 (0.787)	69.5 (2.736)	35 (1.378)	129 (5.079)	127 (5.000)



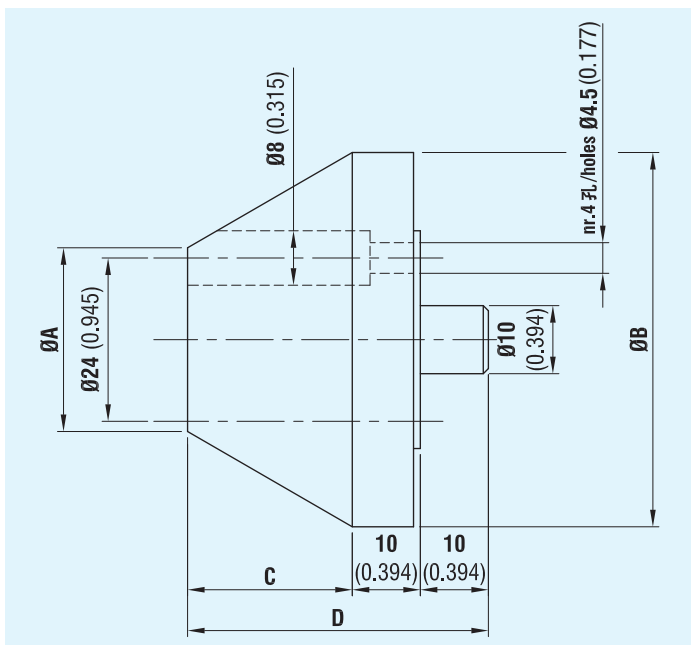
油脂润滑系统 - 代码 Grease lubrication system - code	油雾润滑系统 - 代码 Oil mist lubrication system - code	莫氏锥度 Morse Taper	尺寸 mm (英寸) / Dimensions in mm. (inch)				
			Ø A (MD)	Ø B	C	D	E
010923101	010921133	CM3/MT3	16 (0.630)	51 (2.008)	24.2 (0.953)	83 (3.268)	81.7 (3.217)
010923102	010921134	CM4/MT4	20 (0.787)	55.5 (2.185)	31 (1.220)	97 (3.819)	102 (4.016)
010923103	010921135	CM5/MT5	26 (1.024)	69.5 (2.736)	42.5 (1.673)	111 (4.370)	127 (5.000)



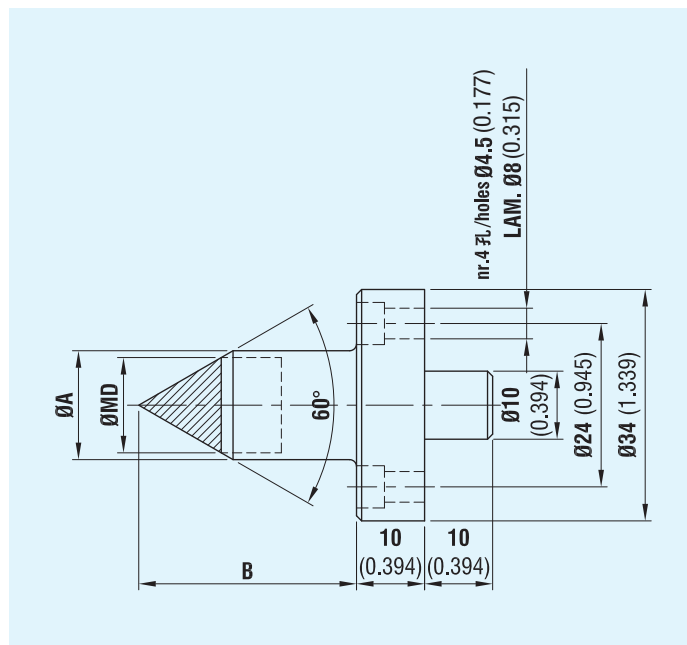
油脂润滑系统 - 代码 Grease lubrication system - code	油雾润滑系统 - 代码 Oil mist lubrication system - code	莫氏锥度 Morse Taper	尺寸 mm (英寸) / Dimensions in mm. (inch)				
			Ø A	Ø B	C	D	E
010925101	010921153	CM3/MT3	49 (1.929)	32 (1.260)	10 (0.394)	68.5 (2.697)	81.7 (3.217)
010925102	010921154	CM4/MT4	55.5 (2.185)	35 (1.378)	10 (0.394)	76 (2.992)	102 (4.016)
010925103	010921155	CM5/MT5	65 (2.559)	48 (1.890)	10 (0.394)	79 (3.110)	127 (5.000)

与承载活顶尖 MT3 和 MT4 的顶尖配套的顶尖

CENTERS FOR CENTER CARRYING LIVE CENTER MT3 AND MT4



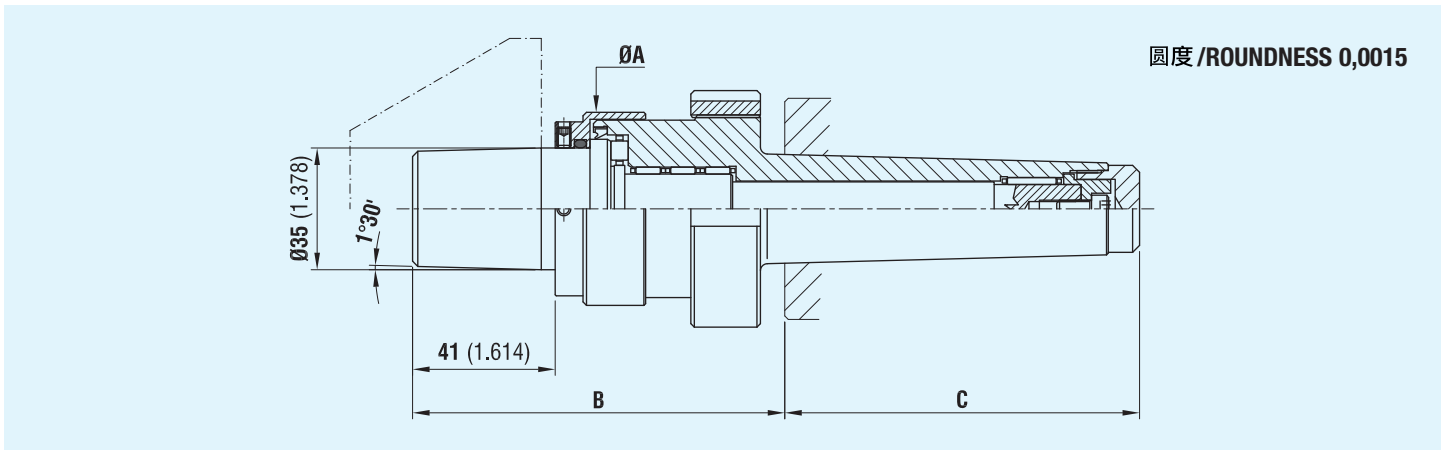
代码 Code	尺寸 mm (英寸) / Dimensions in mm. (inch)			
	Ø A	Ø B	C	D
030392005	7 (0.276)	34 (1.339)	23.4 (0.921)	43.4 (1.709)
030392006	27 (1.063)	55 (2.165)	24.2 (0.953)	44.2 (1.740)
030392007	40 (1.575)	68 (2.677)	24.2 (0.953)	44.2 (1.740)
030392008	60 (2.362)	88 (3.465)	24.2 (0.953)	44.2 (1.740)



代码 Code	尺寸 mm (英寸) / Dimensions in mm. (inch)		
	Ø A	Ø MD	B
030392001	8 (0.315)	6 (0.236)	25 (0.984)
030392002	10 (0.394)	8 (0.315)	27 (1.063)
030392003	12 (0.472)	10 (0.394)	29 (1.142)
030392004	16 (0.630)	14 (0.551)	32 (1.260)

与活顶尖 MT5 配套的顶尖
按需提供

CENTERS FOR LIVE CENTERS MT5
AVAILABLE ON REQUEST

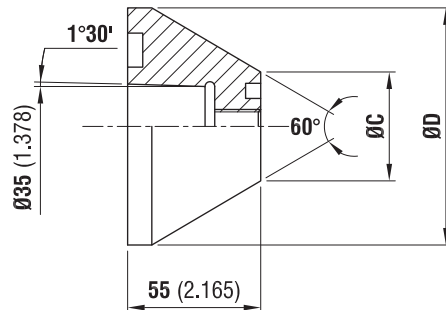


油脂润滑系统 - 代码 Grease lubrication system - code	油雾润滑系统 - 代码 Oil mist lubrication system - code	莫氏锥度 Morse Taper	尺寸 mm (英寸) / Dimensions in mm. (inch)		
			Ø A	B	C
010924102	010921144	CM4/MT4	55.5 (2.185)	107 (4.213)	102 (4.016)
010924103	010921145	CM5/MT5	69.5 (2.736)	111 (4.370)	127 (5.000)

管道磨削加工头

HEADS FOR GRINDING OF PIPES

代码 - Code	尺寸 mm (英寸) / Dimensions in mm. (inch)	
	Ø C	Ø D
040400265	45 (1.772)	98 (3.858)
040400266	95 (3.740)	148 (5.827)
040400267	145 (5.709)	198 (7.795)
040400268	195 (7.677)	248 (9.764)
040400269	245 (9.646)	298 (11.732)
040400270	295 (11.614)	348 (13.701)
040400271	345 (13.583)	398 (15.669)
040400272	395 (15.551)	448 (17.638)
040400273	445 (17.520)	498 (19.606)



含三种接触扇形片的加工头

HEADS WITH THREE CONTACT SECTORS

代码 - Code	尺寸 mm (英寸) / Dimensions in mm. (inch)		
	Ø A	Ø B	C
040300265	45 (1.772)	98 (3.858)	20 (0.787)
040300266	95 (3.740)	148 (5.827)	30 (1.181)
040300267	145 (5.709)	198 (7.795)	40 (1.575)
040300268	195 (7.677)	248 (9.764)	50 (1.969)
040300269	245 (9.646)	298 (11.732)	60 (2.362)

