

MODIFICHE		
Id.	Data	Descrizione

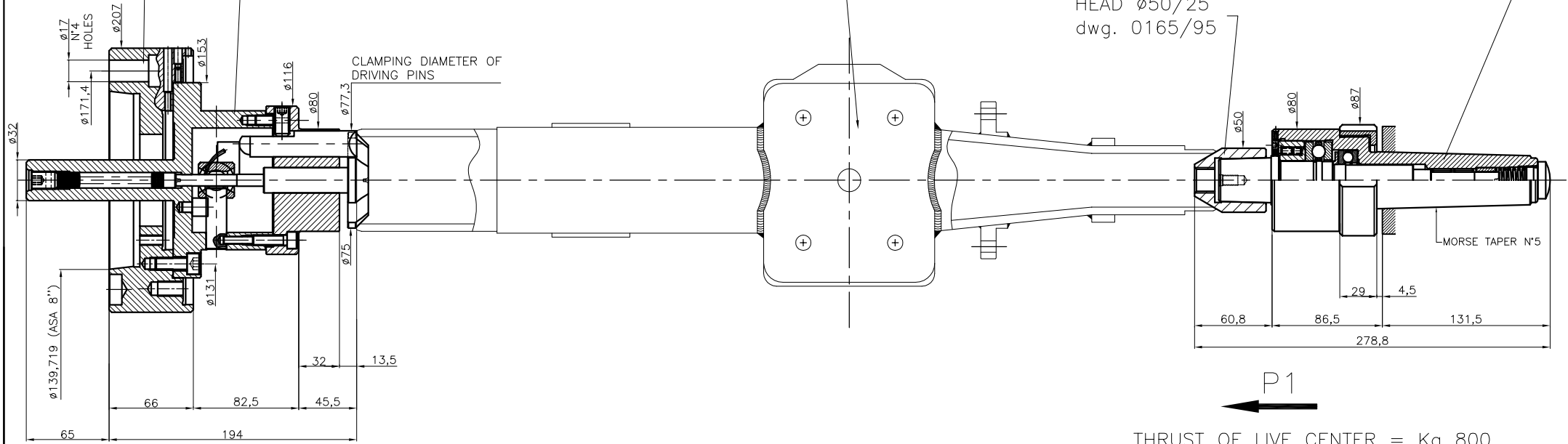
FACE DRIVER ADAPTOR ASA 8"
cod. 070700552

FACE DRIVER 45/120 WITH INTEGRAL
FLANGE CLOCKWISE ROTATION dwg. 0789/97

REAR ARM AXLE "IVECO" DIS.
718.1208.KB 52-2827

HEAD CARRYING LIVE CENTER
MT5 cod. 010185157

HEAD $\phi 50/25$
dwg. 0165/95



P1
←
THRUST OF LIVE CENTER = Kg 800

POS.	DENOMINAZIONE	Q.tà	MATERIALE	TRATTAM.	NOTE
<p>SCHEMA</p> <p>TECNOLOGIE FRB s.r.l. ATTREZZATURE PER MACCHINE UTENSILI</p> <p>FOR TURNING of REAR ARM AXLE "IVECO" with FACE DRIVER 45/120 FL. and LIVE CENTER CM5/85</p>					<p>EX N°: NOTE</p> <p>N° DIS. o CODICE: 1670/99</p>
SCALA:	1:1	DATA:	15/07/2013	DISIGN:	VERONICA SCEUSA
ORA N°:					